

FlexPay™ outdoor payment system

Best investment. Brightest future.





Bank on FlexPay™, the one global payment platform that covers you everywhere today and lays a reliable foundation for tomorrow. Gilbarco Veeder-Root is the industry's leading provider of secure outdoor payment systems and the largest dispenser company in the world. It's the name you already trust for forecourt equipment, maintenance and service. Unify your installed base with incredible flexibility, unsurpassed reliability and security for your brightest future.

Best investment

Grow your bottom line with the FlexPay global platform. It provides unlimited flexibility, scalability and modularity using Europay, MasterCard, Visa (EMV) and Payment Card Industry (PCI)-approved SPOT technology. It increases throughput and convenience with easy to use pay@pump and pay@terminal solutions. And FlexPay consolidates service and maintenance expenses, thanks to a single supplier and fully-integrated technology.

PCI and EMV approved

Protect your business with platform security that exceeds EMV, PCI and other payment security requirements, for your peace of mind.

- > Provides EMV Level 1 and EMV Level 2 certification
- > Maintains online and offline VISA/PCI PIN Entry Device (PED) status
- > Deploys anti-tampering techniques and multi-audited security management procedures
- > Uses module components that are independently secure and certified

Easy integration

Enjoy fast and efficient product deployments with your site automation systems.

- > Works with DOMS PSS5000, Passport® Europe, Passport US
- > Full SDK and emulators available for customers, systems integrators, and value added resellers
- > Backward compatible interfaces
- > Portfolio of forecourt wiring solutions ranging from 2-wire to standard Ethernet; most do not require wiring changes or additional interface boxes

Brightest future

FlexPay grows with your business as your retailing needs become more sophisticated with upgrade options that can be added now or later to drive higher sales.

More payment options

Supports multiple methods of payment to increase consumer convenience.

- > Mag stripe cards, contactless smart cards, cash/note acceptors, biometrics
- > Barcode scanners

Promote, sell, excite

Drive higher in-store sales by taking your marketing to the forecourt.

- > Enables interactive merchandising, couponing, and information on vibrant colour screens to increase sales
- > Works with Gilbarco's new Applause media system for simple delivery of profit-making screen content

Proven Technology

Most reliable and solid solution available, based on our extensive history and performance in outdoor payment.

- > Builds on the largest and fastest growing global installed base of payment devices
- > Includes over 1000 EMV installations in more than a dozen countries
- > Drives market growth and revenue through best-in-class solution



Make your payment technology investment with a proven company that delivers unsurpassed performance and support.

The Flexpay Platform

Secure 14.5 cm 1/4 VGA Colour Display with softkeys and CPU provides easy-to-use interface that supports interactive advertising

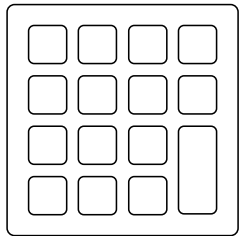


CPU communication with master device supports Ethernet TCP/IP, Serial and PowerLine protocols for maximum flexibility and security.

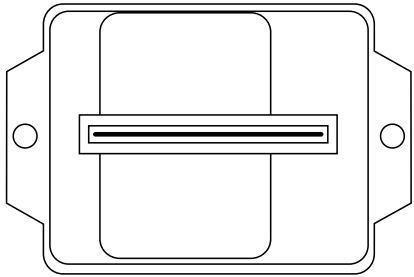
Encrypted

Encrypted

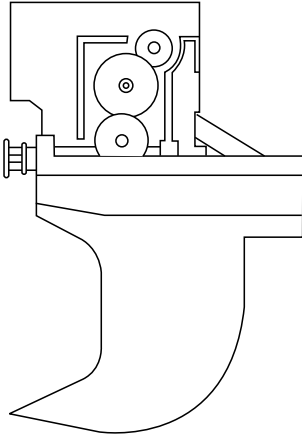
USB link



Secure PCI PED
Encrypting Keypad protects PIN entry and other data



Secure Card Reader
protects card data from skimming/tampering
Supports magstripe, contact or contactless smart cards,
Manual or motorised readers



High Performance Graphic Printer
for reliable, high speed graphics printing

Components are independently secure and fully compliant with EMV/PCI

FlexPay

One platform. Any pump.

Factory-installed in Gilbarco Encore S or SK 700 dispensers

- > Integrated customer interface
- > Eliminates field installation costs
- > UL, Atex and Weights & Measures approved from the factory



Outdoor Payment Terminal

- > Complements low hose dispensers
- > Saves time at full-service sites
- > UL, Atex and Weights & Measures approved from the factory



Retrofit kits

- > Standard consumer experience across all dispensers
- > Adaptable to all dispenser brands



For more information, contact your local distributor or visit www.gilbarco.com.

