

Key Features

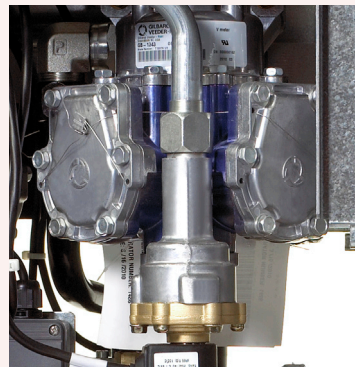
Timeless and reliable, the Horizon is a flexible solution for your forecourt needs, maximising uptime and built to last in the most challenging of environments.

Dependable Electronics



- > Tested at -40°C to +70°C, with 95% RH
- > No information lost during power outages

Low Drift Metering



- > V+ is the most accurate and lowest drift positive displacement meter in the world
- > Fixed stroke length by design
- > Highly tuned, wear resistant materials

Attractive and Long-lasting Image



- > Polycarbonate upper door and Polyester coated lower door decal prevent rust
- > Standard 4-year corrosion warranty on exterior surfaces
- > Unlimited custom graphic options

Enhanced, Secure Pulsar



- > End-to-end encryption
- > Lift-off detection
- > Physically secure



Gilbarco Veeder-Root Products

Behind every successful forecourt

Gilbarco Veeder-Root is the largest supplier in the world representing the leading brands of solutions and technologies that provides convenience, control and environmental integrity to retail fuelling and adjacent markets. Gilbarco Veeder-Root is the only manufacturer that can provide all your fuel forecourt solutions.

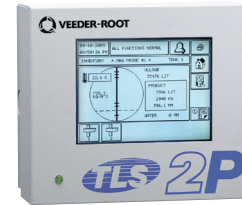
Pumps & Dispensers

Designed to be at the core of retail forecourt solutions centering on quality and innovation, Gilbarco Veeder-Root's broad portfolio of pumps and dispensers are proven to deliver profitability for our customers today and tomorrow.



Automatic Tank Gauging

Innovative tank monitoring and loss detection to automate wet stock management, environmental control and risk management across the network and allow centralised data management to optimise operational profitability.



FlexPay™

Secure and flexible payment solutions to create new business at the pump.



Submersible Pumps

The most efficient way to pump fuel on a forecourt; consistent flow rates, no vapour lock and minimal maintenance.



Automation

Solutions that drive efficiencies, prevent fraud, improve customer experiences and increase profitability.



Horizon

Dependable dispensing

Protecting your investment



For more information contact:

Gilbarco Veeder-Root Middle East & Africa
 Arjaan Tower, 9th Floor
 Dubai Media City, P.O. Box 71569
 Dubai, UAE
 Tel: +971 4465050
 Email: salesmea@gilbarco.com
 www.gilbarco.com/mea

Gilbarco Veeder-Root Asia Pte Ltd
 750A Chai Chee Road
 #07-02 Technopark@Chai Chee
 Singapore, 469001
 Tel: +65 6448 7626
 Email: salessea@gilbarco.com
 www.gilbarco.com/sea

Lasting Performance

Enhancing your customers' forecourt experience.

Why Horizon?

Did you know that the dispenser purchasing price only represents roughly 33% of the Total cost of Ownership over a 10 year period? This includes fuel lost due to theft and/or meter drift along with costs of maintaining the dispenser**. Because a dispenser is more than a 10 year investment, Gilbarco Veeder-Root ensures every Horizon component is engineered and constructed for reliability and longevity in any environment. Horizon saves you the most money over the long-run.

Investment Protection

- Superior components designed to eliminate loss
- > The world's lowest drift positive displacement meter
- > Secure, Intelligent Pulser prevents theft/fraud

Dependable

- High quality parts and build for a more reliable dispenser
- > Superior electronics increase uptime
- > Proven components used in over 200,000 sites around the world

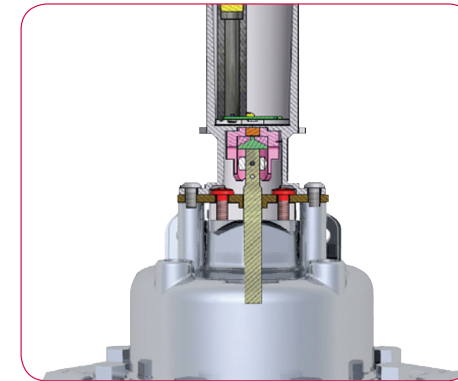
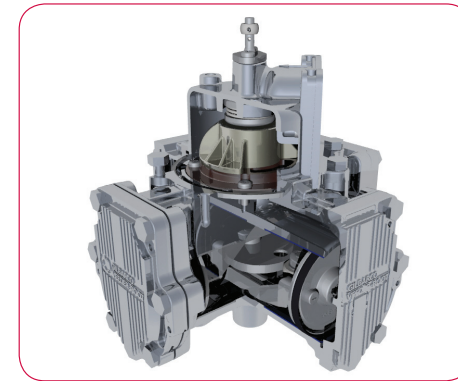
Timeless Image

- Elegant image attracts customers over the life of the dispenser.
- > Standard 4-year corrosion warranty
- > Minimize your image refresh costs

**This does not include maintenance cost of hanging hardware.

Benefits

Robust and reliable but designed to attract customers, Horizon provides leading edge technology with the flexibility to suit your needs.



V+ meter

- > Use of V+ meter can save €7,410* per year on a site that delivers 3M litres per year

Secure Interface Pulser (SIP)

- > Use of SIP can save €2,600* per year

Nozzle boot

- > Customers complain that hanging hardware (nozzles, breakaways & hoses) represent 40% of their overall maintenance spend
- > Nozzle boot is designed for prolonged nozzle life
- > Reinforced nylon material absorbs shock and lasts for a long time
- > Nozzle boot enables more secure stowing (reduce drops that damage nozzle tips)

Dependability

- > Gilbarco Veeder-Root uses longer life components which will save about €700* per site per year

Timeless Image

- > No rust, fewer image refresh maintenance can save up to €9,000* per site per year

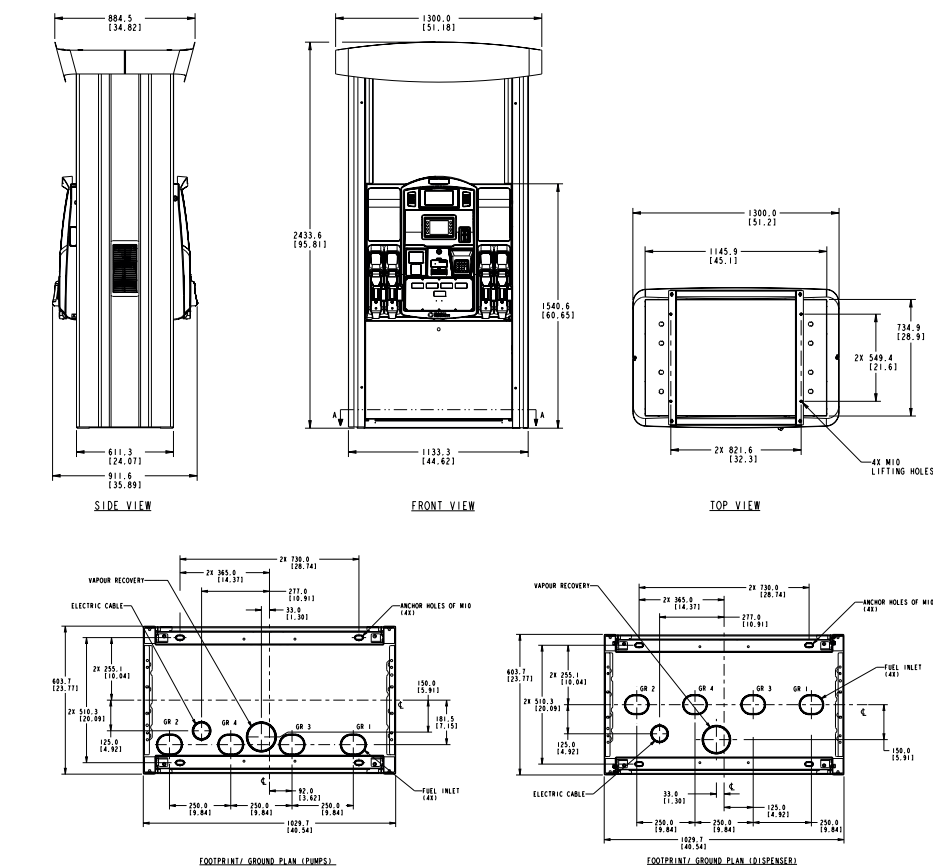
Gilbarco Veeder-Root's global sales, technical & service partners provide you the service and support, when you need, where ever you need.



- > Rugged nozzle boot design
- > Easy upgradeability with FlexPay CRIND
- > LED backlit large 1.5" customer display

*Visit www.gilbarco.eu/horizon to find out how much you could save.

Technical Specifications



Technical Specifications

Standard Features

Hydraulics

- > Gilbarco V+ Meter
- > Gilbarco 10 Blade vane Pump

Electronics

- > Calculator – Gilbarco® Sandpiper-II
- > Interfaces: Standard 2-wire, Australia 2-wire, IFSF LON, ATCL, PumaLAN, ER3

Mechanical

- > Electronic stainless steel valves
- > Housing – powder coated steel
- > Hose management – internal hose connection with retraction
- > Nozzles – ZVA
- > Hoses – Elaflex

Options

- > Compartment isolation for as low as -40°C ambient temperature
- > Elaflex swivel
- > Stainless steel
- > Nozzle magnet adaptor
- > SK700-II standard options
- > Ecometer™

Technical Characteristics and Performance

- > Ambient temperature range: +40°C to -30°C. As low as -40°C as an option
- > Meter flow rate from 4 L/min to 40 L/min
- > Power consumption heaters: 0 - 950 Watts
- > Power supply: 230V +10% -15%, 50Hz ± 2Hz