

# SK700-II LPG

## Easy LPG solutions adapted to fit your needs

- > Seamless LPG integrations with SK700-II
- > Standalone and combi versions available
- > ATEX and MID approved
- > Field proven LPG hydraulics design



# Why SK700-II LPG?

With 25,000 forecourts and more than six million vehicles already converted to LPG, it is the most widely used alternative to petrol and diesel in Europe. As demand for greener fuel at an affordable price is increasing, why wait to introduce LPG to your forecourt?

Gilbarco Veeder-Root's broad portfolio of LPG products provide the only integrated solution for your forecourt needs. With the SK700-II Combi, it is possible to deliver LPG alongside other products including CNG from the same dispenser.

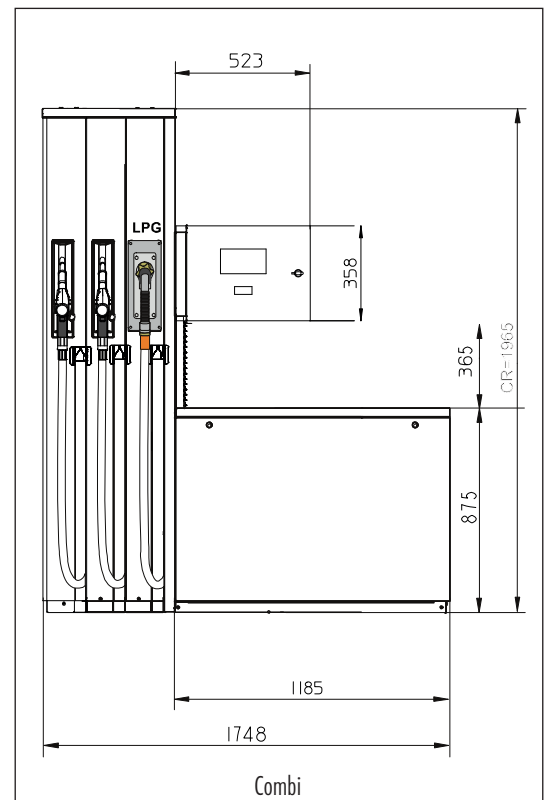
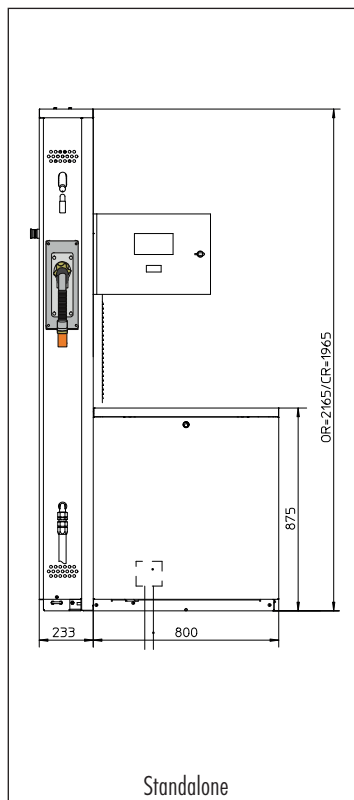
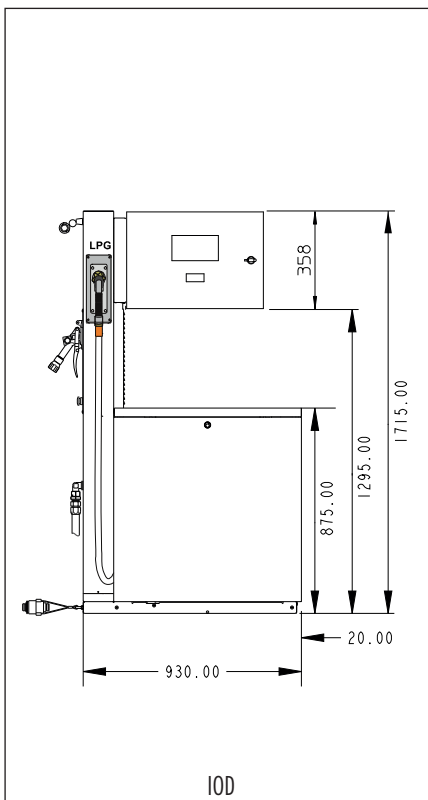


# Technical Specifications

Technical Specifications	Standard Features	Options
Hydraulics	LPG hydraulics with 1 or 2 meters Electronic meter calibration Break away coupling – Elaflex	Solenoid valve: two stage dual flow for pre-set Shear valve
Electronics	Pulser Calculator LCD display (back lit) Dead man push button	Emergency stop button Automatic Temperature Compensation (selected countries) Pre set keypad Computer head door alarm Bolt-on CRIND ready Communication protocol options Electromechanical totaliser
Mechanical	Housing – painted steel Frame – hot galvanized sheet metal Hose Management – internal hose connection CR LPG nozzle – T3 OPW Hose – Elaflex	Stainless steel hose column and hydraulic panels Livery options on request Types of nozzles on request Nozzle lock Hose management system: external hose with rope retract

## Technical Characteristics & Performance

Environmental	<b>Climate:</b> Marine, tropical, industrial, polar   <b>Ambient temperature range:</b> -25°C to +50°C (-40°C optional)
Meter characteristics	<b>Displacement:</b> 0,500L   <b>Maximum flow rate:</b> 50L/min   <b>Minimum flow rate:</b> 5L/min   <b>Accuracy within the flow range:</b> ± 1%   <b>Maximum service pressure (operating pressure):</b> 25 bar
Electrical	230V (+10%; -15%), 50Hz ± 2Hz



# The full SK700-II LPG range

A complete range of SK700-II LPG configurations, all of which are compatible with a wide selection of options, so there is a solution to suit any forecourt.



## SK700-II LPG IOD

Economical and optimised

- > Island orientation
- > Single grade
- > Minimal footprint



## SK700-II LPG Standalone

Compact and efficient

- > Lane orientation
- > One of two nozzles
- > Small footprint



## SK700-II LPG Combi

Modular and versatile

- > Lane orientation
- > Up to six hoses
- > LPG plus maximum two grades



## SK700-II LPG Add-On

Multiproduct

- > Lane orientation
- > Up to ten hoses
- > LPG plus maximum four grades

Mix and match models and configurations to build a tailor-made LPG solution for your forecourt, whilst maintaining a uniform image across your alternative and conventional fuel dispensers.

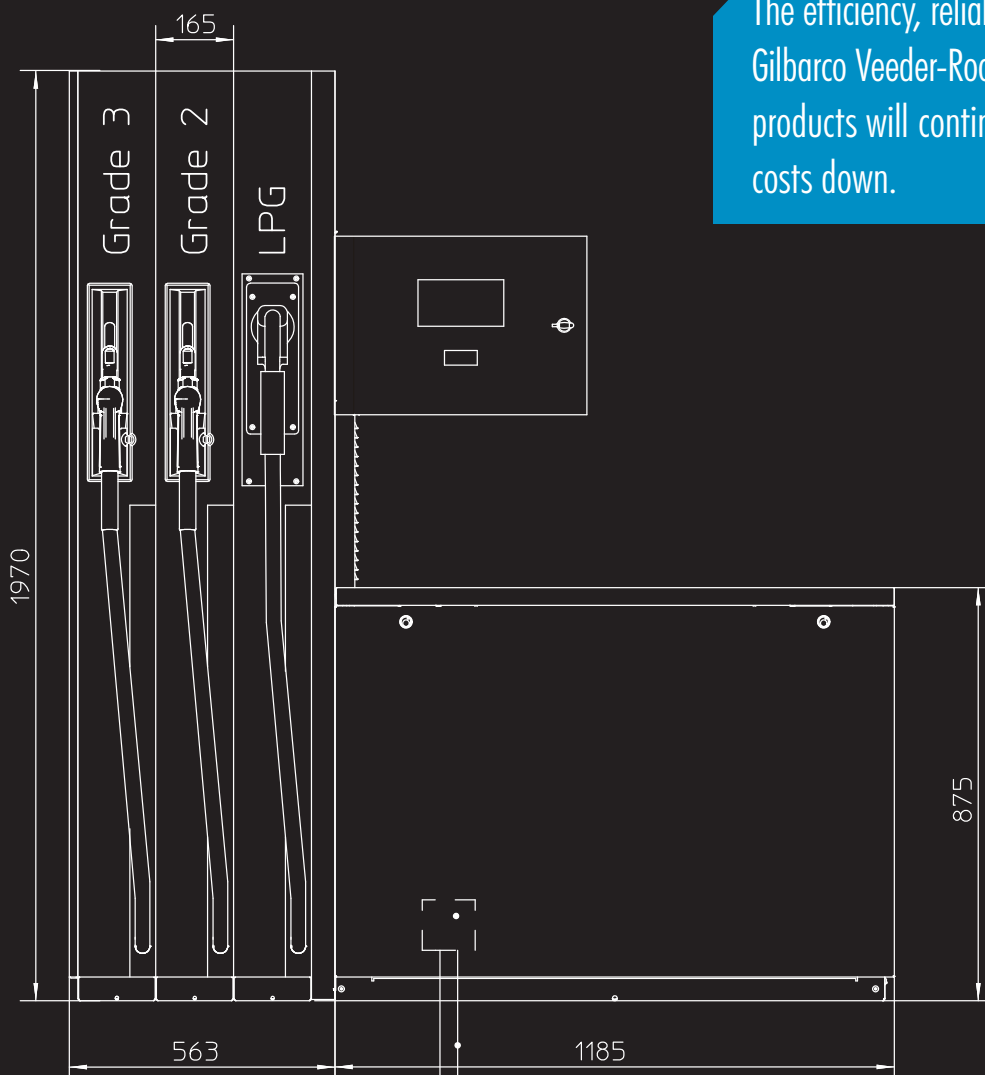
Every dispenser in the SK700-II LPG range is ATEX and MID approved and each one is tested and sealed at Gilbarco Veeder-Root's own facility before shipment, so that when it arrives at your forecourt it is approved and ready to use.

# Why Gilbarco Veeder-Root?

Our experience and expertise in the fuelling industry means we understand a forecourt's business and consumer needs better than anybody. Gilbarco Veeder-Root stands for quality, innovation and seamless integration.

We have an innovative range of dispensing products and services, each designed and manufactured to improve the uptime, security and accuracy of your forecourt.

We use our focus and knowledge to build the sophisticated and reliable refuelling solutions that help with building better business.



The efficiency, reliability and safety offered by Gilbarco Veeder-Root's robust, low maintenance products will continue keeping your lifetime costs down.

# Gilbarco Veeder-Root Solutions

With a universal range, global reach, deep-rooted expertise and superior customer service, Gilbarco Veeder-Root is committed to building better business for its customers.

## Pumps & Dispensers

**Robust, reliable, accurate and secure technology**

Our Pumps and Dispensers feature flexible, innovative and upgradable technology. They not only grow with your business, but also improve the forecourt experience for your end-users.

By focusing on the unique requirements of our customers, we deliver high quality and reliable solutions that are designed to support better business now and in the future.

Our range includes:

- > Multi-Product Dispensers
- > Single and Dual Dispensers
- > Alternative Fuels
- > Applause Europe (multimedia)
- > Submersible Turbine Pumps
- > Commercial Dispensers



## Business Support

**Protect assets and drive operational efficiency**

Our Business Support solutions minimise downtime and disruption by providing the tools, services and technology necessary for our customers to get more from their businesses.

With an extensive reach, you can be assured that no matter where your business takes you, our comprehensive range of services will always be available.

## Wetstock Management

**Improve performance, uptime and security**

Our comprehensive range of compliant and reliable Wetstock Management solutions offer you advanced engineering and a responsive service. Scalable and customisable, our tools provide control, security and data across networks of all sizes anywhere in the world.

Ultimately, our solutions enable you to stay compliant and in control.

## Retail Solutions

**Maximise profitability and minimise overheads**

Our leading Point of Sale, Head and Back Office Systems and forecourt controllers create new business at the pump and enable deeper insights into stock, logistics and security.

Working alongside our wide range of products and services, our Retail Solutions are designed to work for you.