

# FRONTIER

## Series I - F210

### The ART of Dispensing

Frontier Series I offers functional and reliable high hose and low hose models in single and dual configurations. Models are available as a suction or pressure type, and use rugged Gilbarco Veeder-Root global components, making them dependable even in harsh field conditions. Series I is offered in Standard Flow-40LPM and High Flow-80LPM options.

High to medium throughput sites that need functionality together with consistent reliability will find the Series I high hose model a great choice.



# Frontier Series I - F210

## Value Drivers

### Accuracy

- > Gilbarco HD Meter with eCalibration
- > Minimal Pulse Resolution for Higher Accuracy
- > 2-Stage Valve for Accurate Delivery in < 1 Litre Transactions
- > Accuracy in High Throughput Environments



### Security

- > Theft Protection through Personalized Padlocks
- > Tamper-Resistant Electronics with Proprietary Interface Protocol
- > Interactive Electronics – No Pulse, No Flow System



### Durability

- > High Visibility; Uniform Brightness 24hrs a Day
- > Self-Diagnostic Power Supply Safeguards Motor at < 180V



## 2 Year Warranty

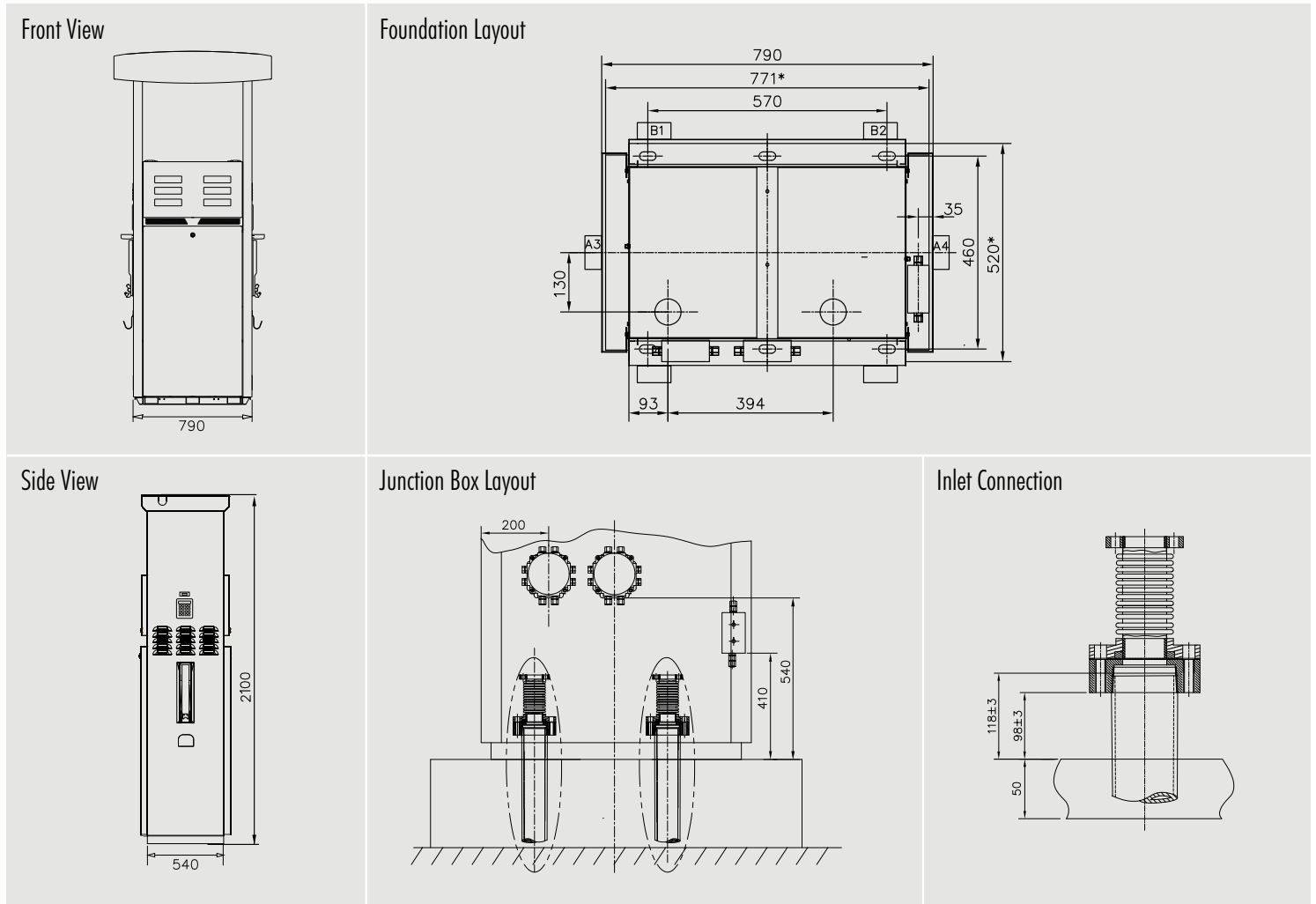
Gilbarco warrants the product against defects in materials and workmanship for 2 years from the date of installation. *(Certain conditions apply. Installation required within 6 months from the date of the Gilbarco invoice. Installation details [equipment serial number, site name and site address] should be provided. Any installation that does not comply with the conditions will not be covered under warranty.)* Reference standard warranty terms and conditions at the time of order.

## Features & Options

Hydraulics		Electronics	
<b>Pumping Unit</b>	Global Pumping Unit – OIML approved and integrated air separation	<b>Calculator</b>	Electronic Register enabled with ARM processor and proprietary protocol
<b>Motor</b>	Rugged 1HP motor – 1 Phase, 220V / 3 Phase, 380V	<b>Display</b>	LED-lit superior backlight and contrast; 25mm Sale & Volume character height; 25mm character height for PPU display
<b>Meter</b>	Global Gilbarco Meter with eCalibration feature	<b>Keypad</b>	16 Key alphanumeric with self-enabled display
		<b>Communication</b>	GVR 2-wire communication protocol
Mechanical		Options	
<b>Valves</b>	1 Phase, 230V, 2-stage Solenoid Valve for accurate low volumes	<b>Panels</b>	Custom color side sheathing and lower door
<b>Hydraulics Cabinet Door</b>	Large size, coated, galvanized panel for custom branding; Width: 666mm, Height: 1136mm		
<b>Hose Management</b>	High Hose orientation with hose hanger on lower panel extends hose life		
<b>Elevation</b>	High Hose, 2.1 meters		
<b>Dimensions</b>	Product: Width 790 x Depth 540 x Height 2100 Packaging: Width 1070 x Depth 630 x Height 2250		

Refer to the warranty policy at the time of order confirmation.

## Technical Specifications & Foundation Layout



All dimensions above are in mm.

## Single & Double-Sided Dispenser Configuration

Models	Suction Type	Pressure Type	Description	No. of Sides	Product Inlets	Dispensed Grades	Hoses Per Unit	Meters	Activation Type
F210-1	S	D	1-Grade, 1 Hose	2	1	1	1	1	Auto
F210-2	S	D	1-Grade, 2 Hose	2	1	1	2	2	Auto
F210-3	S	D	2-Grade, 2 Hose	2	2	2	2	2	Auto

## Technical & Environmental Specifications

Flow Rates	Meter Accuracy	Ambient Temperature Range	Relative Humidity
Standard Flow – 10 GPM (30-40 LPM)	+/- 0.3% of measured volume per OIML R117/118	-20 °C to 55 °C	95%
High Flow – 18-22 GPM (70-80 LPM)			

**Product Approvals**

Full Product Approval:  
ATEX & OIML R117/118  
approved with Tulip electronics

Meter:  
Gilbarco V+ meter,  
OIML R117/118 approved

Pump:  
Gilbarco GPU,  
OIML R117/118 approved

Junction Box & Pulser Box:  
Ex d IIB T5 Flameproof

**Manufacturing Approvals**  
ISO 9001:2015

